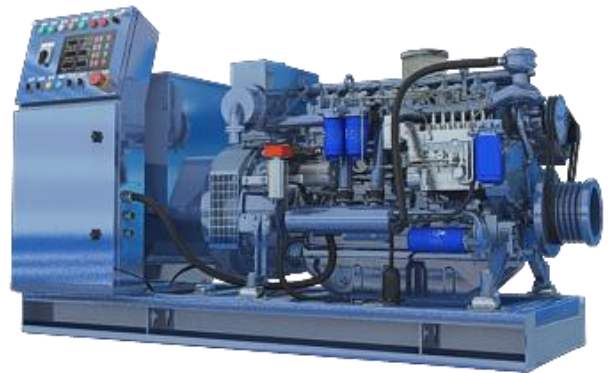


Marine Genset- CCFJ100J-W*

Gen-Set Specifications

GenSet Model	CCFJ100J-W*	
Power Factor	0.8-3 phase	
Frequency	Voltage	Prime
50Hz	400V	100kW
60Hz	440V	100kW



Standard Features

- ◆ Mechanical governor
- ◆ DC24V Electric starter
- ◆ Dual-circulate water-cooled
- ◆ IP23
- ◆ H type insulation
- ◆ Shutoff electronic solenoid
- ◆ airborne instrument
- ◆ Sea water pump
- ◆ Spare Parts
- ◆ Special tool
- ◆ Documents
- ◆ CCS certification
- ◆ Common high pressure pipe
- ◆ Color: sea blue
- ◆ Packaging: wooden packing case

Options

- ◇ Electronic governor
- ◇ Anti-explosion high pressure pipe
- ◇ Remote Control Panel
- ◇ Paralleling function
- ◇ Engine Heater (water & oil heater)
- ◇ Alternator anti-condensation
- ◇ Alternator winding temperature alarm

Engine Specifications

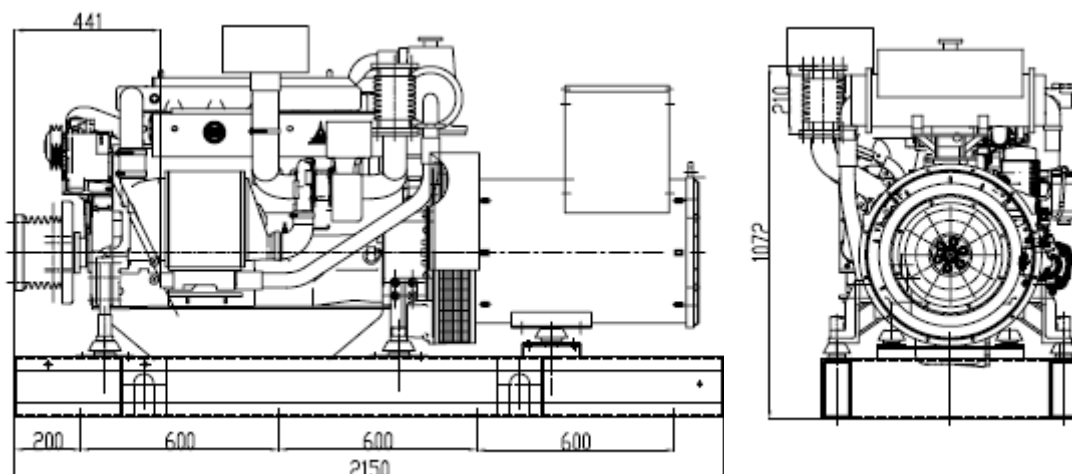
Engine Make & Model	Weichai WP6CD132E200 (50HZ)	WP6CD132E201 (60HZ)
Rated Speed	1500 rpm	1800rpm
Prime Power	120 kW	
Bore & Stroke	105x130 mm	
Displacement	6.75	
Cylinder Number	6	
Fuel System	Mechanical Pump	
Governor Method	Mechanic	
Aspiration	Turbocharged and Aftercooled	
Starting Method	24V electric starter and battery charging alternator	

Alternator Specifications

Alternator Make	Marathon/Stamford
Alternator Model	MP-H-100-4/UCM274E
Bearing Nos	1
Insulation Class	H
Steady-State Volt Adjustable Rate	$\leq \pm 2.5\%$
IP class	IP23
Winding Way	12
Excitation Mode	Brushless
Rated Power Factor	0.8

Dimensions

	Length	Width	Height	Weight
CCFJ100J-W*	2150 mm	1020 mm	1400 mm	1375 kg



Sales Promises

Weichai Power provides a full line of brand new and high quality products. Each and every unit is strictly factory tested.

Warranty time: 1 year

Service and parts are available from Weichai Power or distributors in your location.

Distributed By:

Manufacturer: Weichai Power Co., Ltd
Address: 197 A, Fushou East Street, High-Tech
Development Zone, Weifang, China
www.weichai.com

