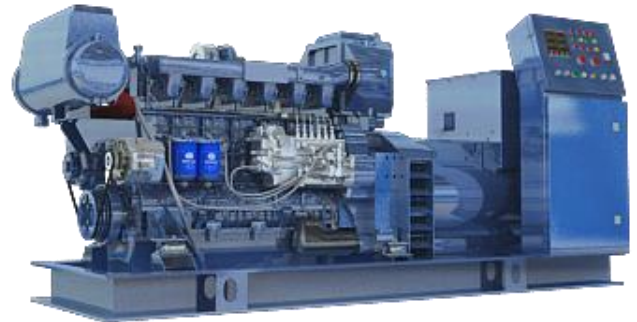


## Marine Genset- CCFJ300J-W\*

### Gen-Set Specifications

Gen-Set Model	CCFJ300J-W*	
Power Factor	0.8-3 phase	
Frequency	Voltage	Prime
50Hz	400V	300kW
60Hz	440V	300kW



### Standard Features

- ◆ Mechanical governor
- ◆ DC24V Electric starter
- ◆ Dual-circulate water-cooled
- ◆ IP23
- ◆ H type insulation
- ◆ Shutoff electronic solenoid
- ◆ airborne instrument
- ◆ Sea water pump
- ◆ Spare Parts
- ◆ Special tool
- ◆ Documents
- ◆ CCS & IMO certification
- ◆ Common high pressure pipe
- ◆ Color: sea blue
- ◆ Packaging: wooden packing case

### Options

- ◇ Electronic governor
- ◇ Anti-explosion high pressure pipe
- ◇ Remote Control Panel
- ◇ Paralleling function
- ◇ Engine Heater (water & oil heater)
- ◇ Alternator anti-condensation
- ◇ Alternator winding temperature alarm

### Engine Specifications

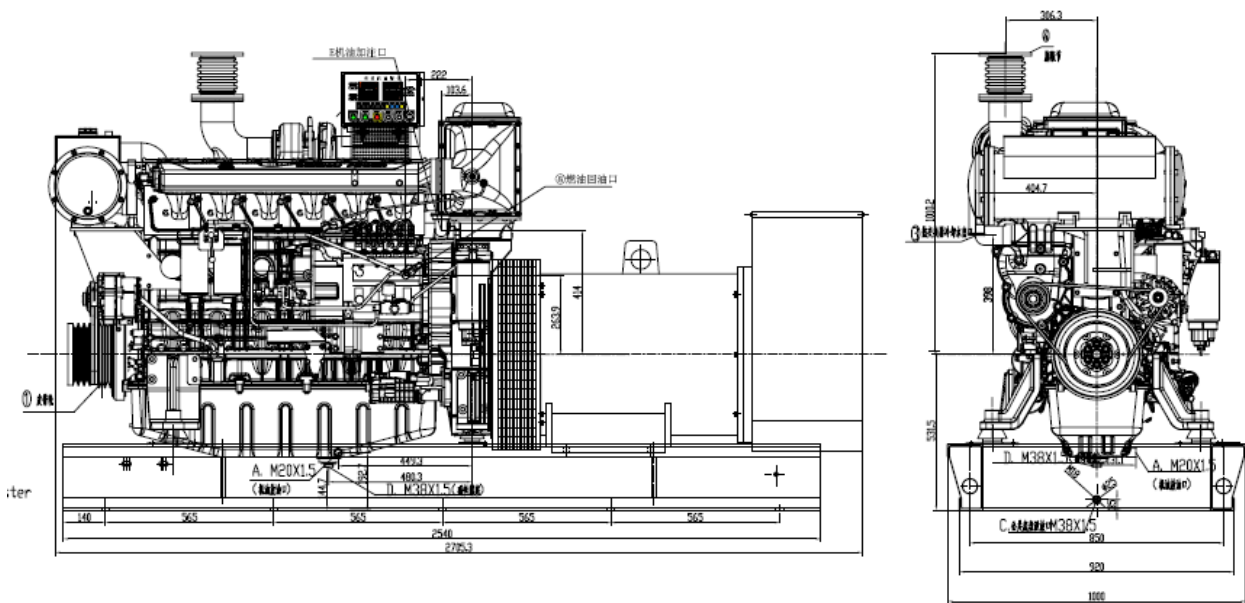
Engine Make & Model	Weichai WP13CD385E200 (50HZ)	WP13CD385E201 (60HZ)
Rated Speed	1500 rpm	1800rpm
Prime Power	350 kW	
Bore & Stroke	127x165 mm	
Displacement	12.5	
Cylinder Number	6	
Fuel System	Mechanical Pump	
Governor Method	Mechanic	
Aspiration	Turbocharged and Aftercooled	
Starting Method	24V electric starter and battery charging alternator	

## Alternator Specifications

Alternator Make	Marathon/Stamford	
Alternator Model	MP-H-280-4/HCM534C	MP-H-300-4/HCM434F
Bearing Nos	1	
Insulation Class	H	
Steady-State Volt Adjustable Rate	≤±2.5%	
IP class	IP23	
Winding Way	12	
Excitation Mode	Brushless	
Rated Power Factor	0.8	

## Dimensions

	Length	Width	Height	Weight
CCFJ300J-W*	2664 mm	1082 mm	1532 mm	2466 kg



## Sales Promises

Weichai Power provides a full line of brand new and high quality products. Each and every unit is strictly factory tested.

Warranty time: 1 year

Service and parts are available from Weichai Power or distributors in your location.

Distributed By:

Manufacturer: Weichai Power Co., Ltd  
 Address: 197 A, Fushou East Street, High-Tech  
 Development Zone, Weifang, China  
[www.weichai.com](http://www.weichai.com)

