

Marine Genset- CCFJ30J-W*

Gen-Set Specifications

GenSet Model	CCFJ30J-W*	
Power Factor	0.8-3 phase	
Frequency	Voltage	Prime
50Hz	400V	30kW
60Hz	/	/



Standard Features

- ◆ Mechanical governor
- ◆ DC12V Electric starter
- ◆ Dual-circulate water-cooled
- ◆ IP23
- ◆ H type insulation
- ◆ Shutoff electronic solenoid
- ◆ Common high pressure pipe
- ◆ airborne instrument
- ◆ Sea water pump
- ◆ Spare Parts
- ◆ Documents
- ◆ CCS certification
- ◆ Color: sea blue
- ◆ Packaging: wooden packing case

Options

- ◇ Remote Control Panel
- ◇ Paralleling function
- ◇ Alternator anti-condensation
- ◇ Alternator winding temperature alarm

Engine Specifications

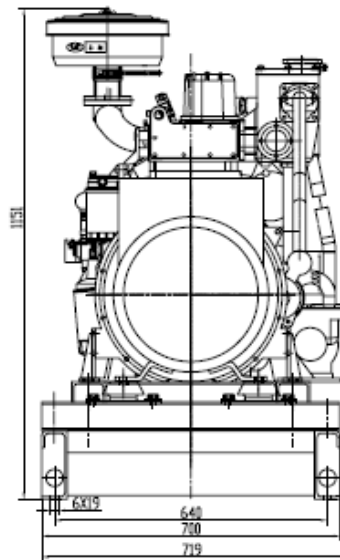
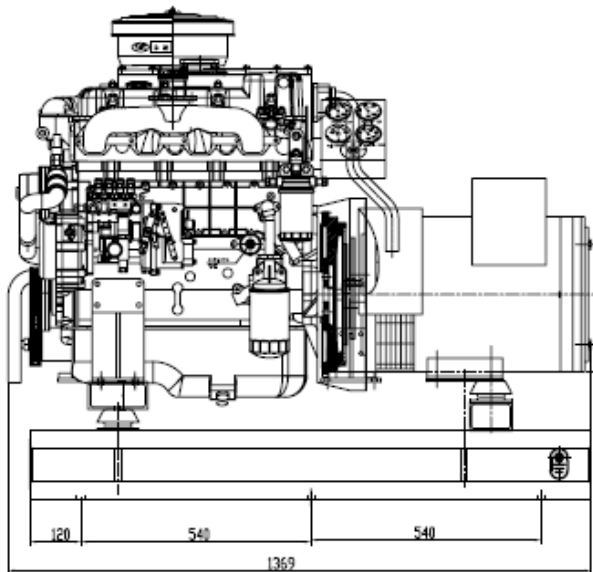
Engine Make & Model	Weichai WP4.3CD38E1 (50HZ)
Rated Speed	1500 rpm
Prime Power	38 kW
Bore & Stroke	105x125 mm
Displacement	4.3
Cylinder Number	4
Fuel System	Mechanical Pump
Governor Method	Mechanic
Aspiration	Natural Aspiration
Starting Method	12V electric starter and battery charging alternator

Alternator Specifications

Alternator Make	Marathon/Landian
Alternator Model	MP-H-30-4/TFXW-225M4-H
Bearing Nos	1
Insulation Class	H
Steady-State Volt Adjustable Rate	$\leq \pm 2.5\%$
IP class	IP23
Winding Way	12
Excitation Mode	Brushless
Rated Power Factor	0.8

Dimensions

	Length	Width	Height	Weight
CCFJ24J-W*	1420 mm	720mm	1163 mm	750 kg



Sales Promises

Weichai Power provides a full line of brand new and high quality products. Each and every unit is strictly factory tested.

Warranty time: 1 year

Service and parts are available from Weichai Power or distributors in your location

Distributed By:

Manufacturer: Weichai Power Co., Ltd
Address: 197 A, Fushou East Street, High-Tech
Development Zone, Weifang, China
www.weichai.com

