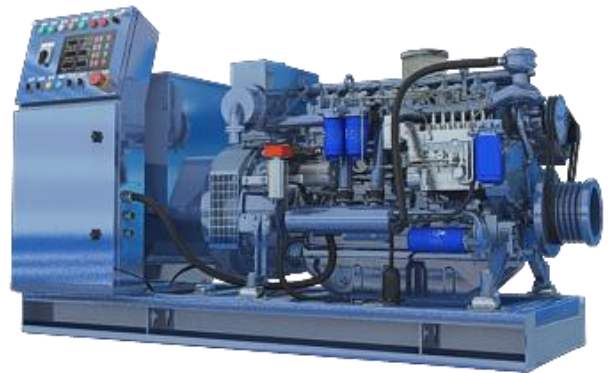


Marine Genset- CCFJ90J-W*

Gen-Set Specifications

GenSet Model	CCFJ90J-W*	
Power Factor	0.8-3 phase	
Frequency	Voltage	Prime
50Hz	400V	90kW
60Hz	440V	90kW



Standard Features

◆ Mechanical governor	◆ DC24V Electric starter	◆ Dual-circulate water-cooled
◆ IP23	◆ H type insulation	◆ Shutoff electronic solenoid
◆ airborne instrument	◆ Sea water pump	◆ Spare Parts
◆ Special tool	◆ Documents	◆ CCS certification
◆ Common high pressure pipe	◆ Color: sea blue	
◆ Packaging: wooden packing case		

Options

◇ Electronic governor	◇ Anti-explosion high pressure pipe	◇ Remote Control Panel
◇ Paralleling function	◇ Engine Heater (water & oil heater)	◇ Alternator anti-condensation
◇ Alternator winding temperature alarm		

Engine Specifications

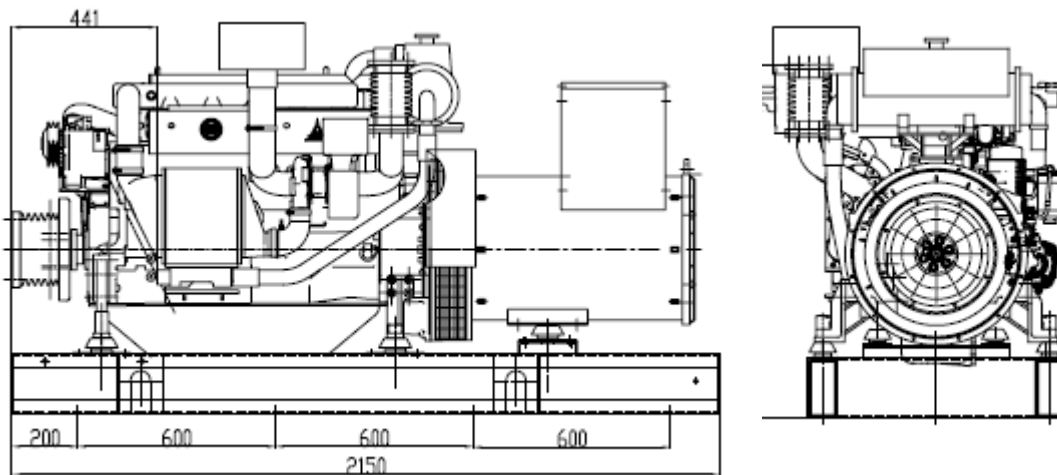
Engine Make & Model	Weichai WP6CD132E200 (50HZ)	WP4CD118E201 (60HZ)
Rated Speed	1500 rpm	1800rpm
Prime Power	120 Kw	108 kW
Bore & Stroke	105x130 mm	105x130 mm
Displacement	6.75	4.5
Cylinder Number	6	4
Fuel System	Mechanical Pump	
Governor Method	Mechanic	
Aspiration	Turbocharged and Aftercooled	
Starting Method	24V electric starter and battery charging alternator	

Alternator Specifications

Alternator Make	Marathon/Stamford	
	MP-H-90-4/UCM274E	MP-H-90-4/UCM274D
Bearing Nos		1
Insulation Class		H
Steady-State Volt Adjustable Rate		≤±2.5%
IP class		IP23
Winding Way		12
Excitation Mode		Brushless
Rated Power Factor		0.8

Dimensions

	Length	Width	Height	Weight
CCFJ90J-W*	2150 mm	1020 mm	1400 mm	1375 kg



Sales Promises

Weichai Power provides a full line of brand new and high quality products. Each and every unit is strictly factory tested.

Warranty time: 1 year

Service and parts are available from Weichai Power or distributors in your location.

Distributed By:

Manufacturer: Weichai Power Co., Ltd
Address: 197 A, Fushou East Street, High-Tech
Development Zone, Weifang, China
www.weichai.com

